

Command Signal Generator Card

EAA-DSG-450-A-10 Series

General Description

This card is used to generate input signals for open and closed loop electro-hydraulic control systems. In addition to internally applying the command signals which can be set on the card, it can be used for driving external command potentiometers; the internal potentiometers can then be used to limit the range of adjustment.

Features and Benefits

- The polarity of all five command signals can be changed using soldered links.
- The summing amplifier is provided with an additional input for cascading several cards.
- The amplifier has an inverting and a non-inverting output.
- The status of the relevant command signal is indicated on the front panel by LEDs.

Operating Data

Supply voltage $\pm 15V \pm 5\%$,
x 50 mA max.

Impedance of potentiometer P1 to P5 2 k Ω

No. of command signal relays 5

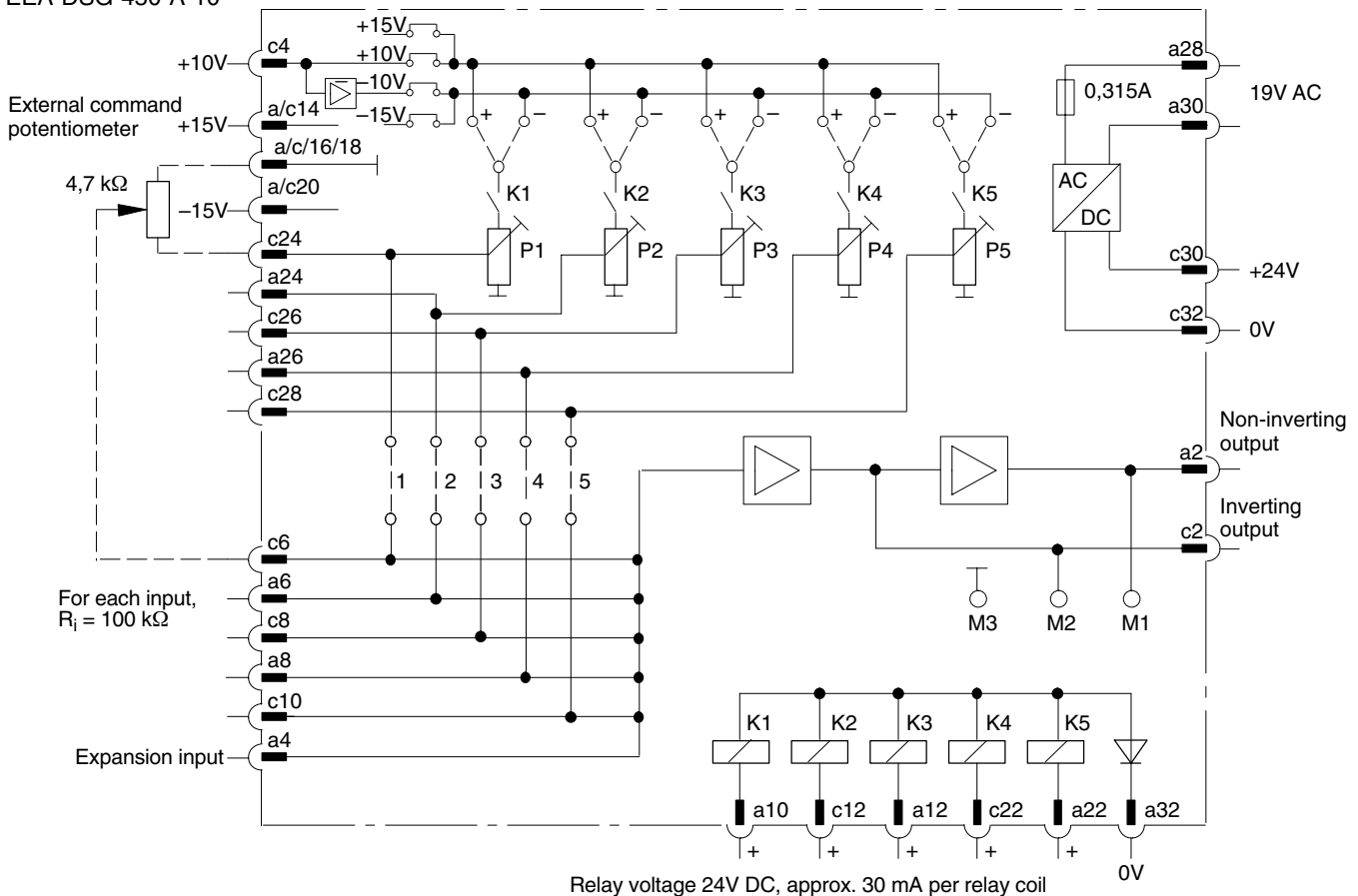
Relay voltage 24V $\pm 20\%$,
approx. 30 mA per relay

Male connector DIN 41612, D32

Mass 0,15 kg (0.33 lb)

Connection Diagram

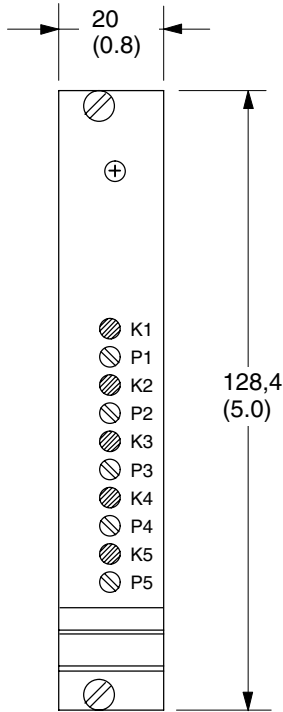
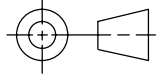
EAA-DSG-450-A-10



Installation Dimensions

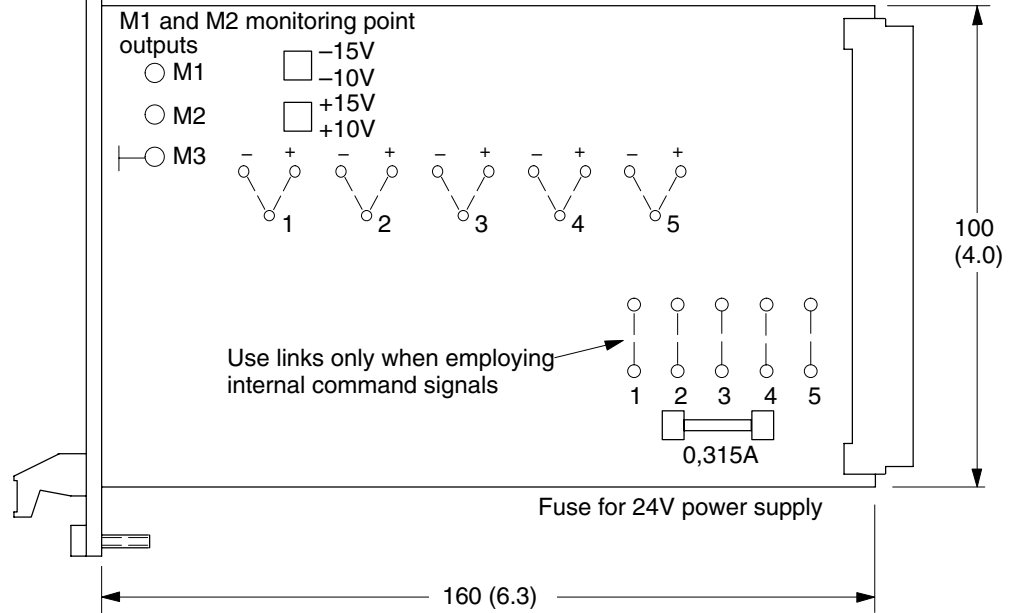
mm (inch)

3rd angle projection



For internal reference insert $\pm 15V$ jumper. For additional external reference of +10V at pin c4, insert $\pm 10V$ jumper

In pressure control applications solder all links to "+". In proportional directional valve applications, solder links to "+" or "-" depending on direction of travel



Eaton Hydraulics

15151 Highway 5
Eden Prairie, MN 55344
Telephone: 612 937-7254
Fax: 612 937-7130
www.eatonhydraulics.com

46 New Lane, Havant
Hampshire PO9 2NB
England
Telephone: (44) 170-548-6451
Fax: (44) 170-548-7110

